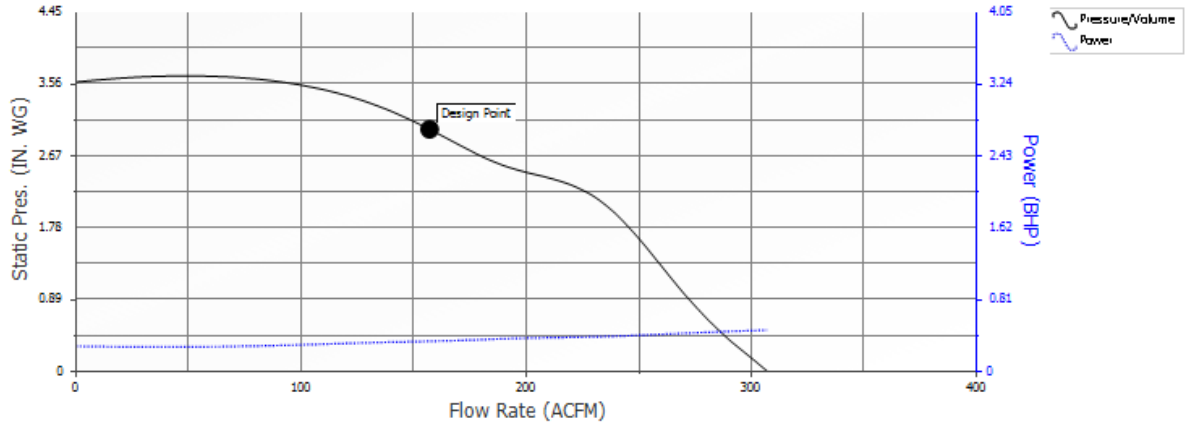


CBL4 FAN SPECIFICATIONS



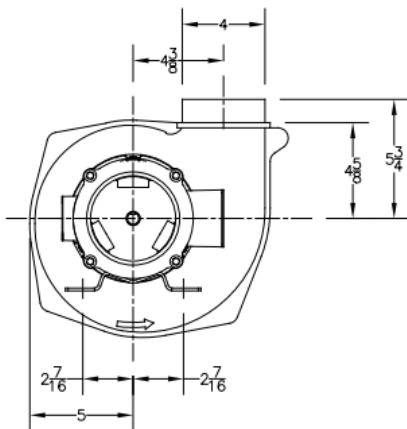
Performance Values are in accordance with AMCA Standard 210

Flow (ACFM)	157
SP (IN. WG)	3
Density (LB/FT ³)	0.075
Temp (° F)	70
Elev. (FT)	0
Speed (RPM)	3449
Power @70 °F (BHP)	0.34
Static Eff. (%)	22.04
OV (FT/MIN)	2180
Weight (LBS)	32
Fan Discharge Area (FT ²)	0.072
Max Airstream Temperature (°F)	70
Maximum Speed at 70°F (RPM)	N/A
BHP	0.34 HP
Single Phase	110/220
Three Phase	230/460

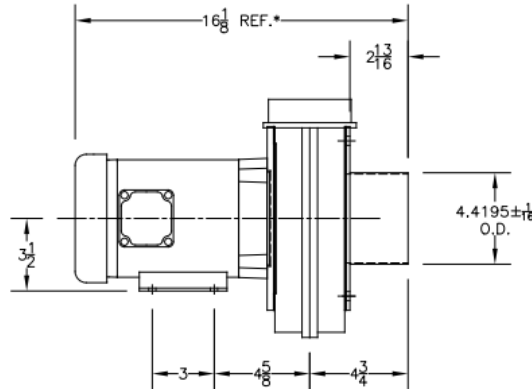
Sound Values are in accordance with AMCA Standard 300

Center Hz	63	125	250	500	1000	2000	4000	8000
Lwi	69	79	83	75	76	76	70	66
ERC								

External Sound Power Levels (dB)
Sound Pressure 3 FT from Fan (dBA): 75
Lwi (Lwi) is sound power at the fan inlet (outlet)/airstream, less ERC.
Sound pressure, Radiated, FT from GA housing dBA.



SIDE VIEW



FRONT VIEW

* DIMENSION IS FOR REFERENCE ONLY
AND VARIES PER MOTOR MANUFACTURER.
SEE MOTOR PRINTS FOR FINAL DIMENSIONING.

ACCESSORIES
1. Special Slip Inlet
2. Slip Outlet

NOTES
A. Motor is a Baldor, premium efficiency,
C-face with feet, rolled steel frame,
F-1 conduit box, VFD suitable
Furnished and mounted by CBC.
For further details see title block.