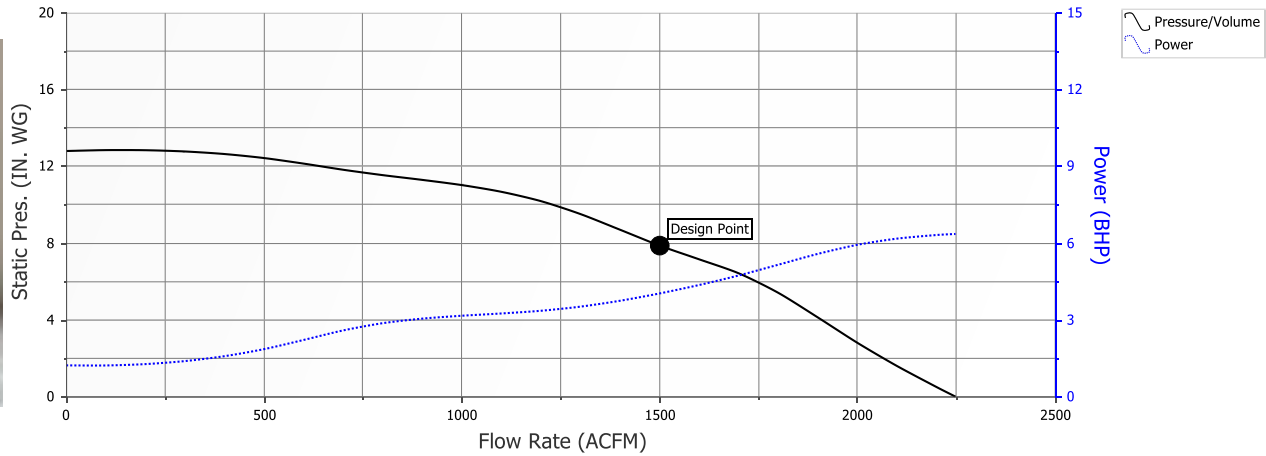


## CBW9 FAN SPECIFICATIONS



**Performance** Values are in accordance with AMCA Standard 210

Flow (ACFM)	1500
SP (IN. WG)	7.865
Density (LB/FT <sup>3</sup> )	0.075
Temp (° F)	70
Elev. (FT)	0
Speed (RPM)	3451
Power @70 °F (BHP)	4.04
Static Eff. (%)	45.93
OV (FT/MIN)	4885
Weight (LBS)	80
Fan Discharge Area (FT <sup>2</sup> )	0.307
Max Airstream Temperature (°F)	70
Maximum Speed at 70°F (RPM)	N/A
BHP	4.04 HP
Single Phase	110/220
Three Phase	230/460

**Sound** Values are in accordance with AMCA Standard 300

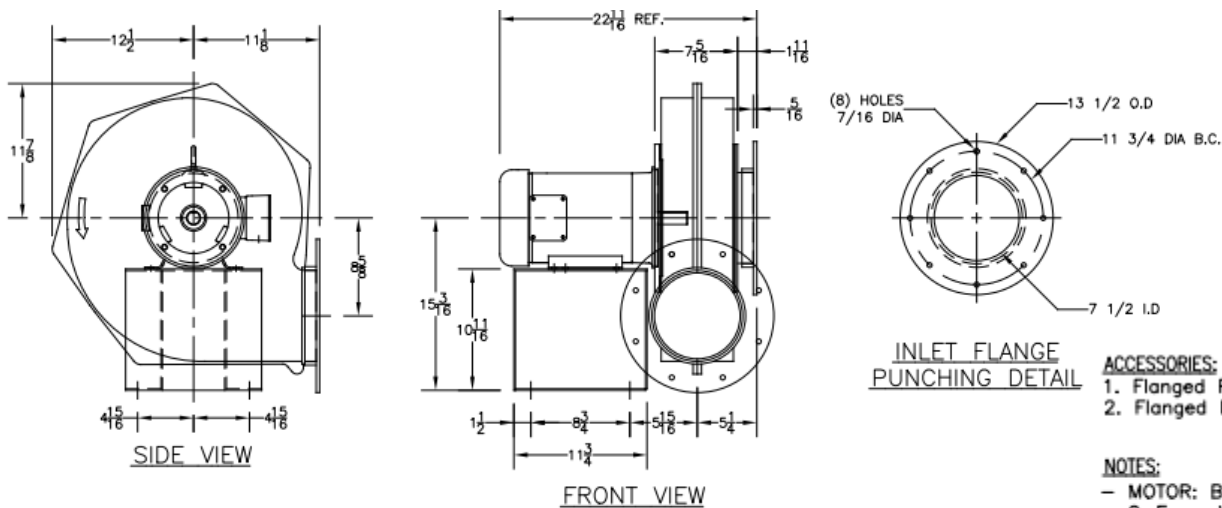
Center Hz	63	125	250	500	1000	2000	4000	8000
Lwi	69	79	83	75	76	76	70	66
ERC								

External Sound Power Levels (dB)

Sound Pressure 3 FT from Fan (dBA): 75

Lwi (Lwi) is sound power at the fan inlet (outlet)/airstream, less ERC.

Sound pressure, Radiated, FT from GA housing dBA.



**ACCESSORIES:**

1. Flanged Punched Inlet - Standard
2. Flanged Punched Outlet - Standard

**NOTES:**

- MOTOR: BALDOR, Premium efficiency, C-Face, With Feet, Rolled steel frame, F1 conduit box, VFD suitable  
Furnished and mounted by CBC  
See title block for motor data