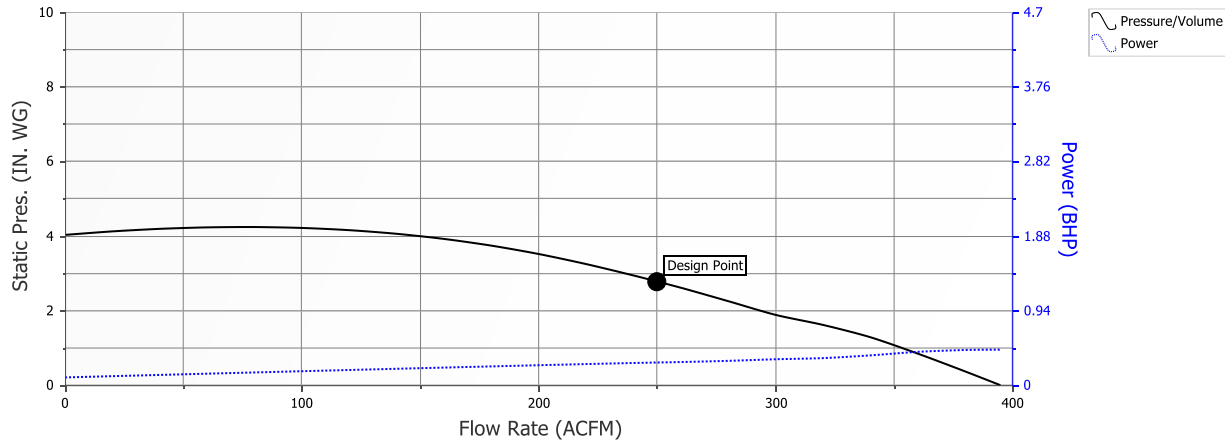


CBL6 FAN SPECIFICATIONS



Performance Values are in accordance with AMCA Standard 210

Flow (ACFM)	250
SP (IN. WG)	2.783
Density (LB/FT ³)	0.075
Temp (° F)	70
Elev. (FT)	0
Speed (RPM)	3450
Power @70 °F (BHP)	0.29
Static Eff. (%)	38.18
OV (FT/MIN)	3472
Weight (LBS)	35
Fan Discharge Area (FT ²)	0.072
Max Airstream Temperature (°F)	70
Maximum Speed at 70°F (RPM)	N/A
BHP	0.29HP
Single Phase	110/220
Three Phase	230/460

Sound Values are in accordance with AMCA Standard 300

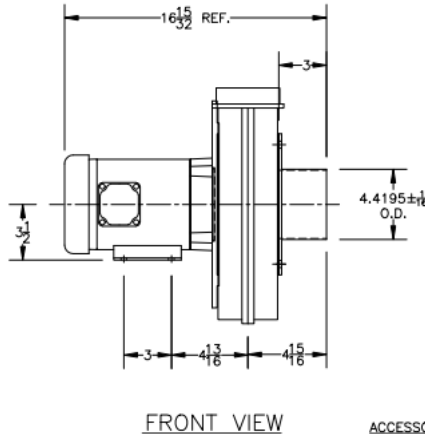
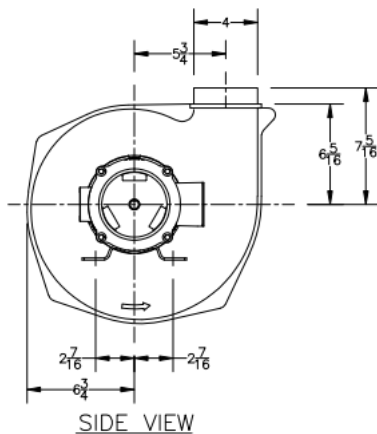
Center Hz	63	125	250	500	1000	2000	4000	8000
Lwi	69	80	84	787	77	76	71	67
ERC								

External Sound Power Levels (dB)

Sound Pressure 3 FT from Fan (dBA): 75

Lwi (Lwi) is sound power at the fan inlet (outlet)/airstream, less ERC.

Sound pressure, Radiated, FT from GA housing dBA.



- ACCESSORIES**
1. Special slip Inlet
 2. Slip Outlet

NOTES

A. Motor is a Baldor, premium efficiency, C-Face, with feet, rolled steel frame, F-1 conduit box location. Furnished and mounted by CBC. For further details see title block.