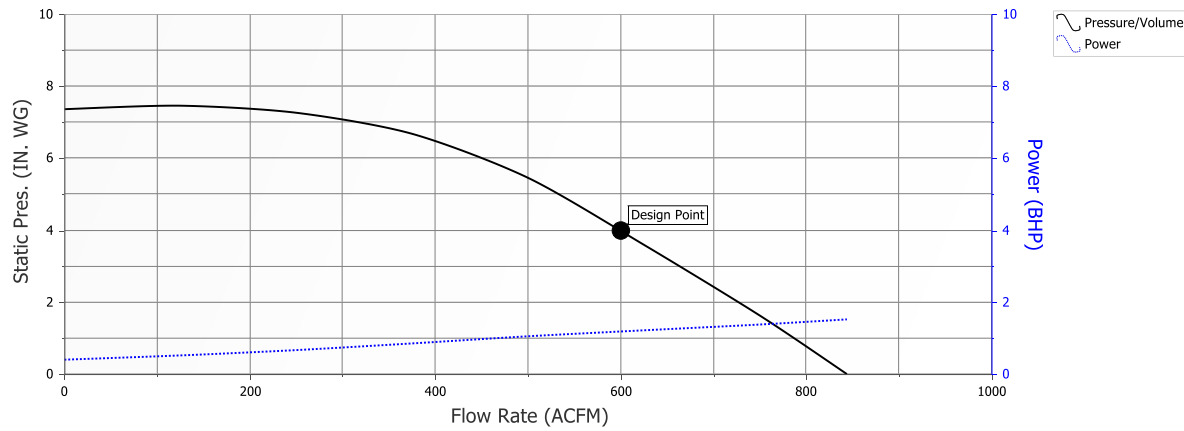


CBW6 FAN SPECIFICATIONS



Performance Values are in accordance with AMCA Standard 210

Flow (ACFM)	600
SP (IN. WG)	4
Density (LB/FT ³)	0.075
Temp (° F)	70
Elev. (FT)	0
Speed (RPM)	3445
Power @ 70 °F (BHP)	1.19
Static Eff. (%)	31.59
OV (FT/MIN)	5128
Weight (LBS)	40
Fan Discharge Area (FT ²)	0.117
Max Airstream Temperature (°F)	70
Maximum Speed at 70°F (RPM)	N/A
BHP	1.19HP
Single Phase	110/220
Three Phase	230/460

Sound Values are in accordance with AMCA Standard 300

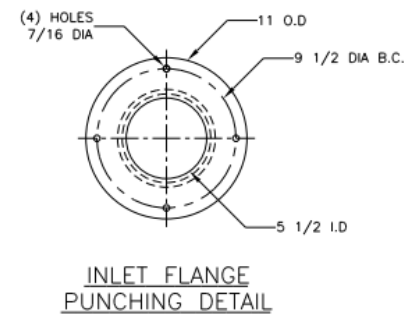
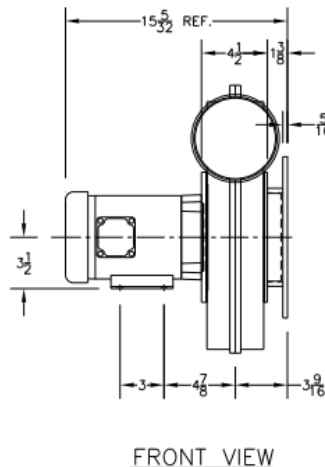
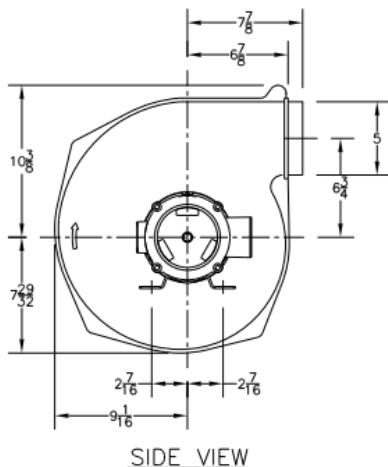
Center Hz	63	125	250	500	1000	2000	4000	8000
Lwi	77	90	95	88	86	81	75	70
ERC								

External Sound Power Levels (dB)

Sound Pressure 3 FT from Fan (dBA): 75

Lwi (Lwi) is sound power at the fan inlet (outlet)/airstream, less ERC.

Sound pressure, Radiated, FT from GA housing dBA.



ACCESSORIES

1. Flanged Inlet - Standard (shown)